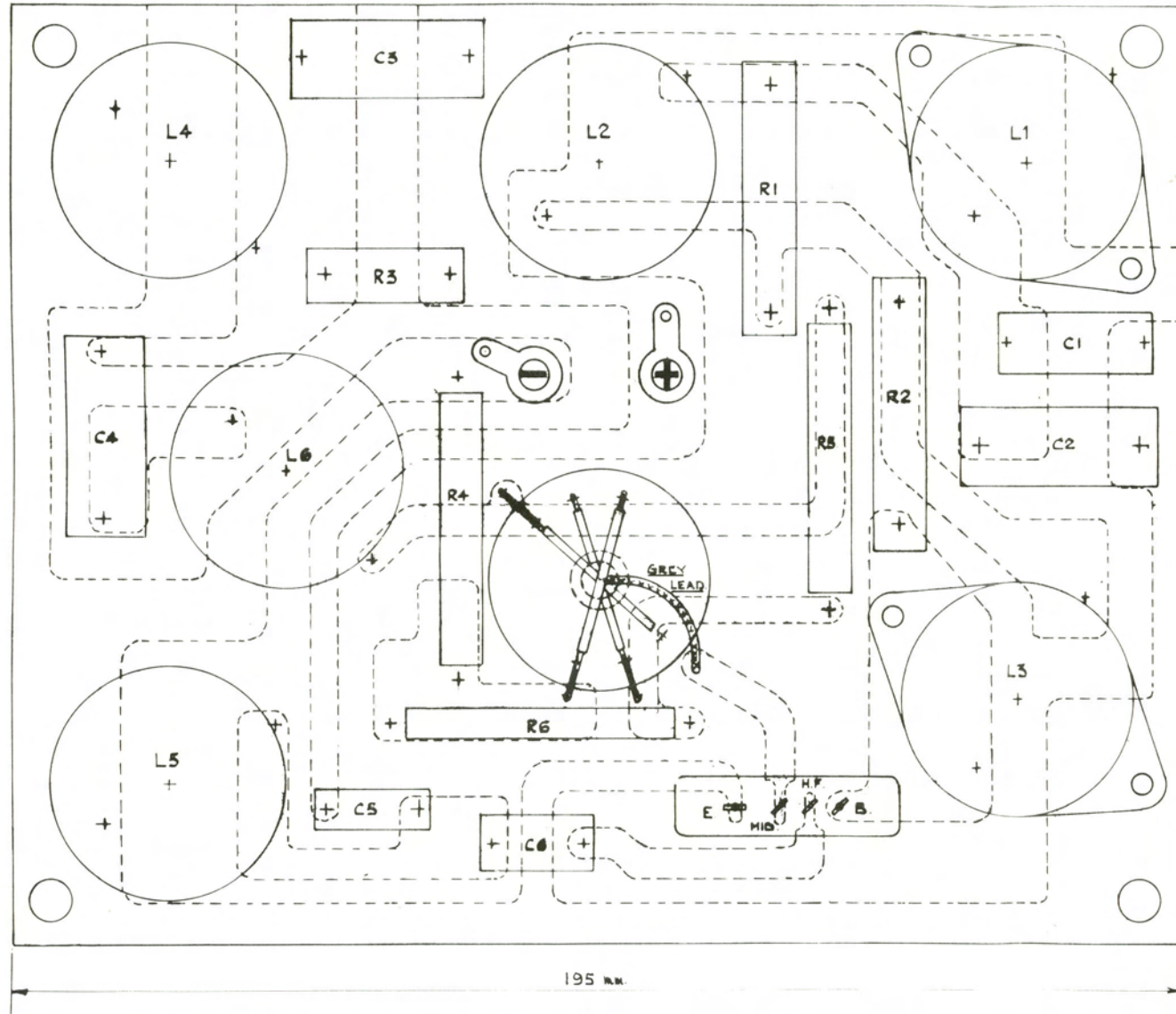
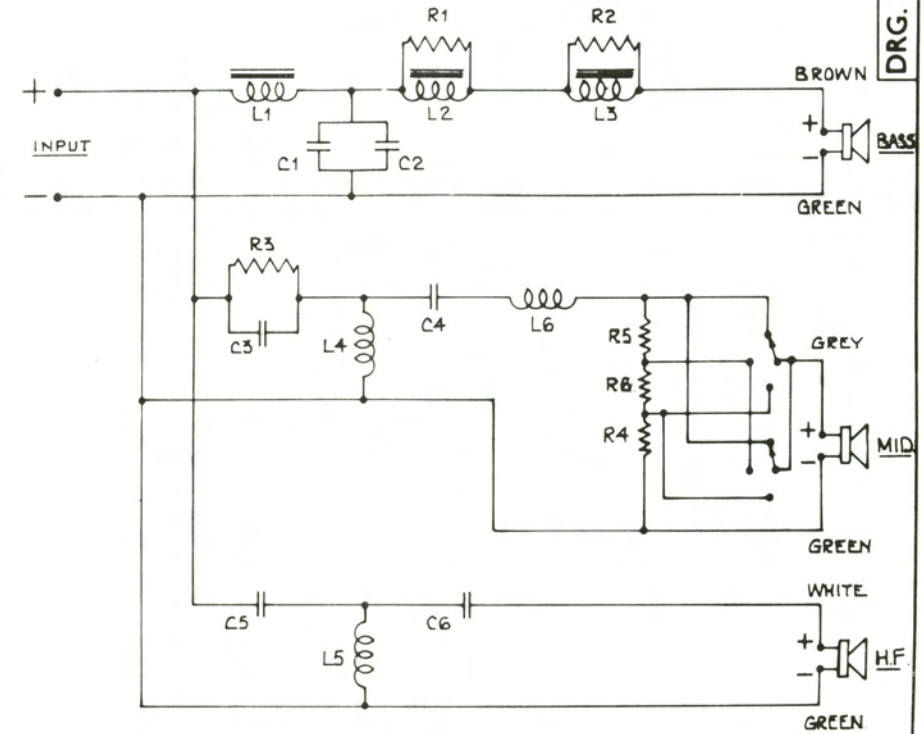


INDUCTORS	CAPACITORS	RESISTORS
L1. 1.9 mH GREY CORED	C1. 1.5 μ F.	R1. 10 Ω 10W.
L2. 0.54 mH. BLUE CORED	C2. 3.3 μ F.	R2. 3 Ω 10W.
L3. 1.9 mH. GREY CORED	C3. 3.3 μ F.	R3. 82 Ω 5W.
L4. 0.3 mH. GREEN.	C4. 3.3 μ F.	R4. 50 Ω 5W.
L5. 0.2 mH. BLACK.	C5. 0.47 μ F.	R5. 4.7 Ω 5W.
L6. 0.2 mH. BLACK.	C6. 0.68 μ F.	R6. 4.7 Ω 5W.

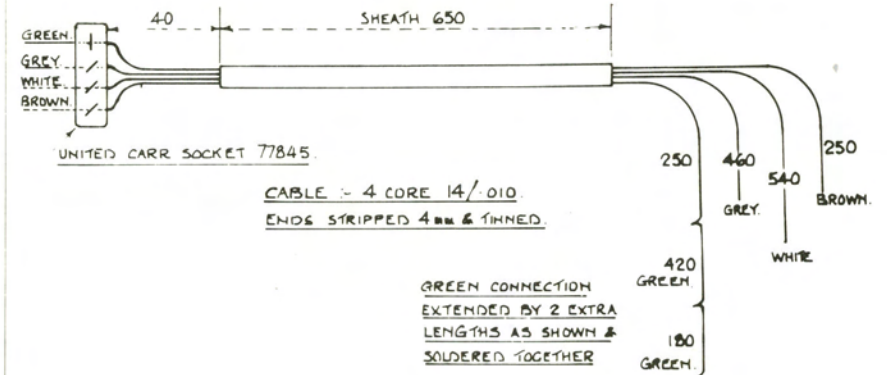
PCB :- DWG N° C277 ALSO ART WORK.
 DRILLING DETAILS TO DWG N° C280.
 MATERIAL S.R.B.P. 2.5 mm THICK.
 1.0Z CU. SS. ROLLER TINNED.
 SWITCH :- 2 POLE 3 WAY.
 PLUG :- UNITED CARR. 77844.

- CIRCUIT DIAGRAM -



155 mm.

- HARNESS DETAILS -



ALL DIMENSIONS IN MILLIMETRES

DM2A CROSSOVER. ISSUE 2. DETAILS AND ASSEMBLY.

B & W Loudspeakers, WORTHING, ENGLAND.

COPYRIGHT. 1973.

DRAWN	TRACED	CHECKED	APPROVED	DATE	SCALE
				14. 11. 73.	2:1

DRAWING No. C 279 A

No.	DESCRIPTION	CHK'D	APP'D	DATE
A	Circuit diag + harness details added.			2.5.73
ALTERATIONS				

DRG. No.